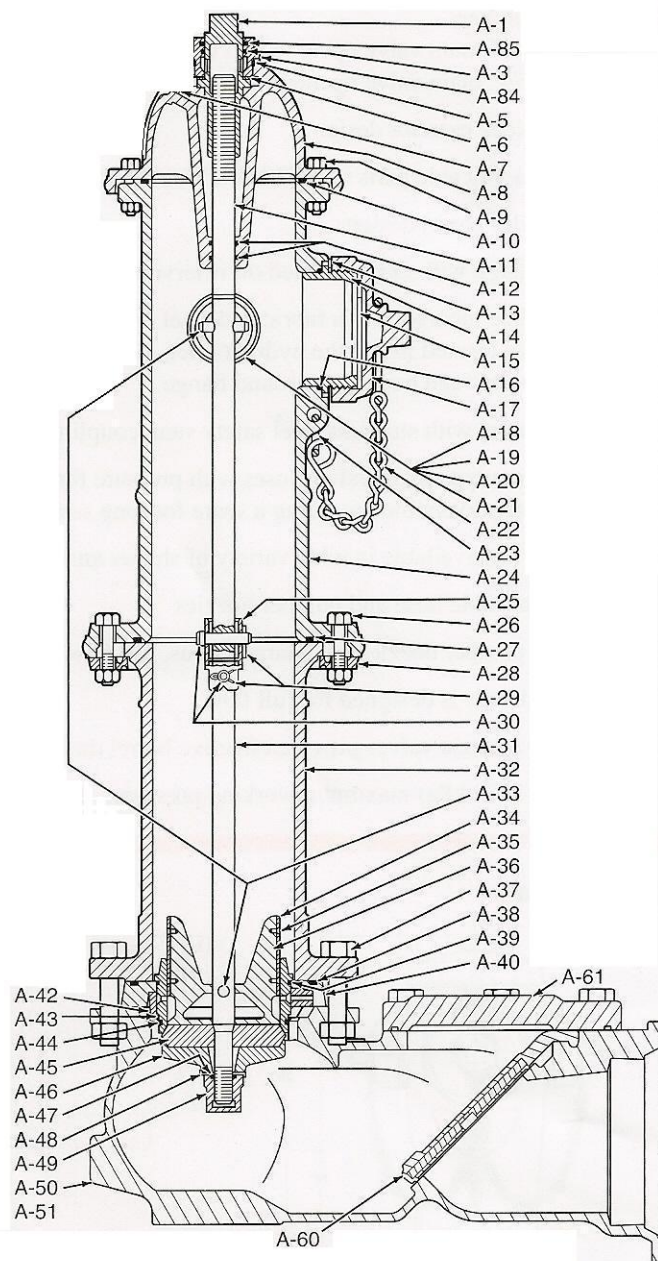


# MUELLER® SUPER CENTURION 250/HS FIRE HYDRANT PARTS

**Mueller Co.** 9A.5

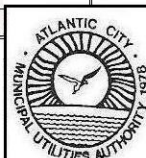
REV. 8-07

Cat part #	Description	Material	Material standard
A-1	Operating Nut	Bronze	ASTM B584
A-3	Hold Down Nut O-ring	Rubber	ASTM D2000 Buna N
A-5	Bonnet O-ring	Rubber	ASTM D2000 Buna N
A-6	Anti-friction Washer	Celcon	
A-7	Oil Plug	Brass	ASTM B16
A-8	Bonnet	Cast Iron	ASTM A126 CL.B
A-9	Bonnet Bolt and Nut	Steel	ASTM A307 Plated
A-10	Bonnet O-ring	Rubber	ASTM D2000 Buna N
A-11	Upper Stem	Steel	ASTM A576 GR.B
A-12	Stem O-ring	Rubber	ASTM D2000 Buna N
A-13	Nozzle Lock	Stainless Steel	ASTM A276
A-14	Pumper Nozzle	Bronze	ASTM B584
A-15	Pumper Nozzle Gasket	Rubber	ASTM D2000 Neoprene
A-16	Pumper Nozzle O-ring	Rubber	ASTM D2000 Buna N
A-17	Pumper Nozzle Cap	Cast Iron	ASTM A126 CL.B
A-18	Hose Nozzle	Bronze	ASTM B584
A-19	Hose Nozzle Gasket	Rubber	ASTM D2000 Neoprene
A-20	Hose Nozzle O-ring	Rubber	ASTM D2000 Buna N
A-21	Hose Nozzle Cap	Cast Iron	ASTM A126 CL.B
A-22	Cap Chain	Steel	Plated
A-23	Chain Ring	Steel	Plated
A-24	Upper Barrel Less Nozzle	Cast Iron	ASTM A126 CL.B
A-25	Safety Coupling	Stainless Steel	ASTM A890
A-26	Safety Flange Bolt and Nut	Steel	ASTM A307 Plated
A-27	Safety Flange O-ring	Rubber	Cellulose
A-28	Safety Flange	Cast Iron	ASTM A126 CL.B
A-29	Cotter Pin	Stainless Steel	ASTM A276
A-30	Clevis Pin	Stainless Steel	ASTM A276
A-31	Lower Stem	Steel	ASTM A576 GR.B
A-32	Lower Barrel	Cast Iron	ASTM A126 CL.B
A-33	Stem Pin	Stainless Steel	ASTM A276
A-34	Drain Valve Facing	Plastic	
A-35	Drain Valve Screw	Stainless Steel	ASTM A276
A-36	Upper Valve Plate (includes A-34 and A-35)	Bronze	ASTM B584
A-37	Shoe bolt and nut	Steel	ASTM A-307 Plate
A-38	Drain Ring Housing O-ring	Rubber	ASTM D2000 Buna N
A-39	Seat Ring Top-O-ring	Rubber	ASTM D2000 Buna N
A-40	Drain Ring Housing	Cast Iron	ASTM A-126 CL.B
A-41	Drain Ring Housing Bolt and Nut	Steel	ASTM A307 Plated
A-42	Drain Ring	Bronze	ASTM B584
A-43	Seat Ring	Bronze	ASTM B584
A-44	Seat Ring Bottom O-ring	Rubber	ASTM D2000 Buna N
A-45	Reversible Main Valve	Rubber	ASTM 2000
A-46	Lower Valve Plate	Cast Iron	ASTM A126 CL.B
A-47	Cap Nut Seal	Rubber	ASTM D2000
A-48	Lock Washer	Stainless Steel	ASTM A276
A-49	Lower Valve Plate Nut	Cast Iron	ASTM A126 CL.B
A-50	Shoe	Ductile Iron	ASTM A536 Grade 65-45-12
A-51	Hydrant Lubricating Oil (not shown)		
A-60	Flapper		
A-61	Lid	Ductile Iron	ASTM A536 Grade 65-45-12
A-84	Hold Down Nut	Bronze	ASTM B584
A-85	Weather Seal	Rubber	ASTM D2000



**A-14 = 4 1/2 INCH STEAMER NOZZLE  
WITH ATLANTIC CITY STANDARD  
THREAD (7 1/2 THREADS PER INCH)**

**A-18 = 2 1/2 INCH HOSE NOZZLE  
WITH NATIONAL STANDARD  
THREADS**



ATLANTIC CITY  
MUNICIPAL UTILITIES AUTHORITY  
  
401 NORTH VIRGINIA AVENUE  
PO BOX 117  
ATLANTIC CITY, NJ 08404-0117

2009 APPROVED BY:  
  
MIKE MEGELLA