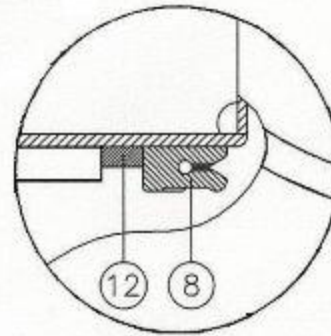
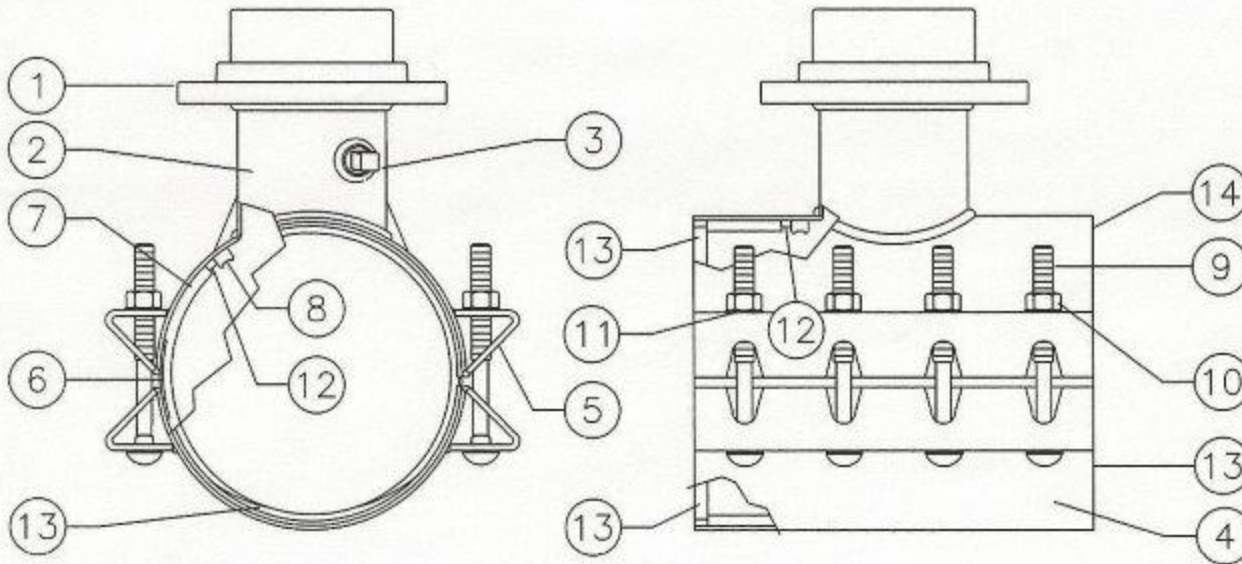


Reference: 3480 MJ Stainless Steel Tapping Sleeve



DETAIL N



ASSEMBLY BILL OF MATERIALS				
ITEM	QTY	PART NAME	MATERIAL	MAT. SPEC.
1	1	MJ. FITTING	Stainless Steel	AWWA C115
2	1	Branch	Stainless Steel	ASTM A240
3	1	Test Plug	Stainless Steel	ANSI B2.1
4	2	Shell	Stainless Steel	ASTM A240
5	4	Bolt Lug	Stainless Steel	ASTM A240
6	2	Armor Plate	Stainless Steel	ASTM A240
7	1	Shell Gasket	Nitrile	ASTM D2240
8	1	Branch Gasket	Nitrile	ASTM D2240
9	*	Bolt	Stainless Steel	ASTM A193
10	*	Coated Nut	Stainless Steel	ASTM A194
11	*	Washer	Stainless Steel	ANSI B18.22.1
12	1	Branch Ring	Stainless Steel	ASTM A240
13	2	End Rings	Stainless Steel	ASTM A240

NOTE: The Shell Gasket is our patented Chek-O-Seal design, and the Branch Gasket is our patented TwinSeal design.

WORKING PRESSURES	
2"-10" Outlet:	200 PSI
12"-18" Outlet:	150 PSI
20"-24" Outlet:	100 PSI
Test Pressure is 1-1/2 times working pressure.	
Pipe pressure larger than 30" 100psi	

PowerSeal P.O. Box 2014  
Wichita Falls, Texas

TITLE						
3480 MJ Tapping Sleeve						
SIZE	DRAFTSMAN	DATE	APPROVAL	DATE	DRAWING NO.	REV
B	REB	07-16-02				
SCALE	NTS	SUPERSEDES	N/A	SHEET	1	of 1

NOTE: FOR USE WITH STANDARD MJ VALVE



ATLANTIC CITY  
MUNICIPAL UTILITIES AUTHORITY  
401 NORTH VIRGINIA AVENUE  
PO BOX 117  
ATLANTIC CITY, NJ 08404-0117

# STAINLESS STEEL TAPPING SLEEVE

DESIGN GUIDE

APPROVED BY:  
**MIKE MEGELLA**  
2009